

Brescia, 9th January 2013

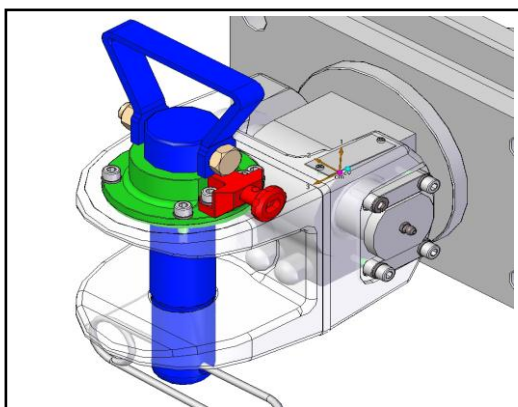
IMPROVEMENT ON PRODUCT	TITANO VIII 500 t
ARTICLE	TI00200 / TI00210

Dear Partner,

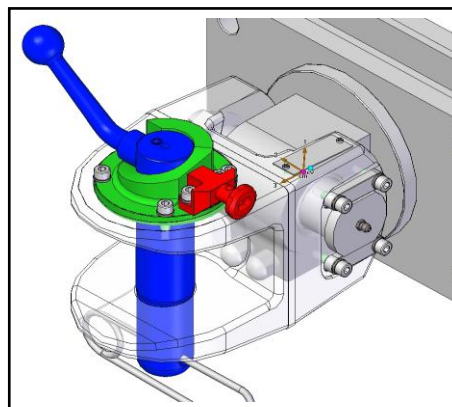
As part of our continuous improvement program, we have made the following changes:

OLD PART NUMBER	-
NEW PART NUMBER	RG00577
INTERCHANGEABILITY PREVIOUS MODELS	YES
AVAILABILITY	January 2013

NEW VERSION



PREVIOUS VERSION



The new kit RG00577 includes:

1. **Rotating main pin with new open lever shape (BLUE COLOURED);**
2. **Upper bush with new shape (GREEN COLOURED);**
3. **Safety device (RED COLOURED);**

The kit is fully interchangeable with TITANO previous models.

The new configuration of the main coupling pin and its cam allows TITANO to work in extreme weather conditions and load, allowing the pin to rotate 360° if the poor lubrication exponentially increases the friction between the coupling pin and the drawbar eye.

The improvement will become a standard on all new manufactured TITANO from begin 2013.

For eventual further information, please contact our Sales Department

V. ORLANDI S.p.a.